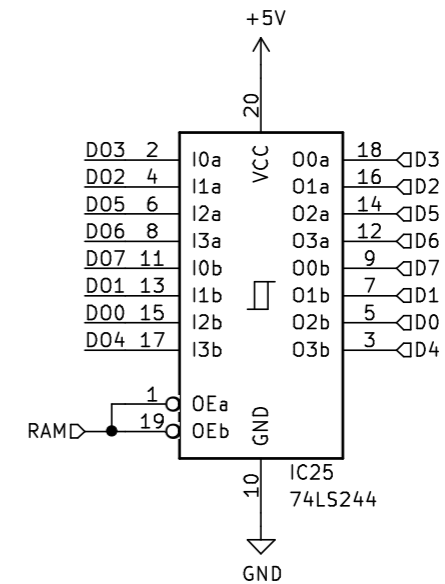
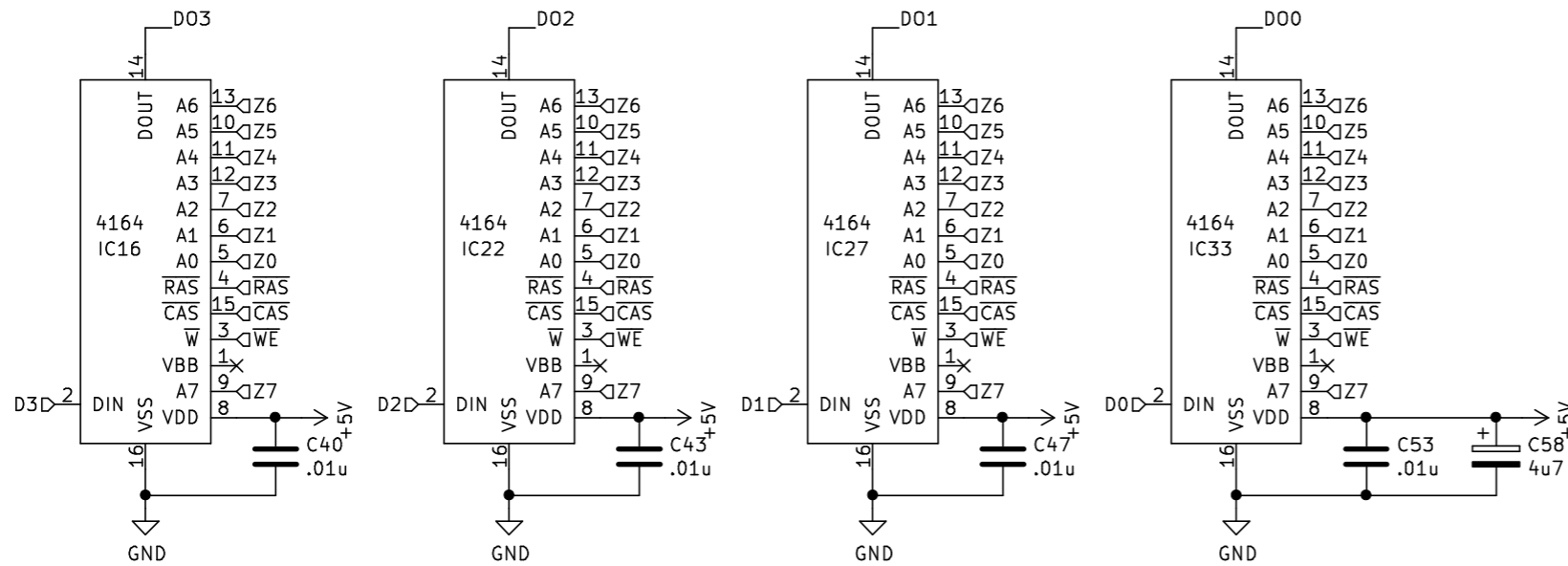
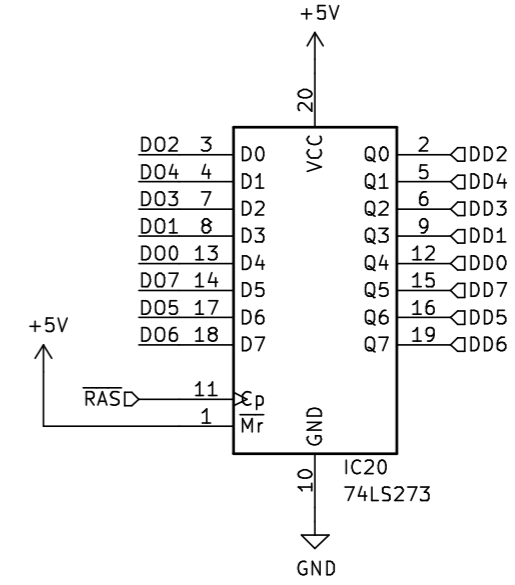
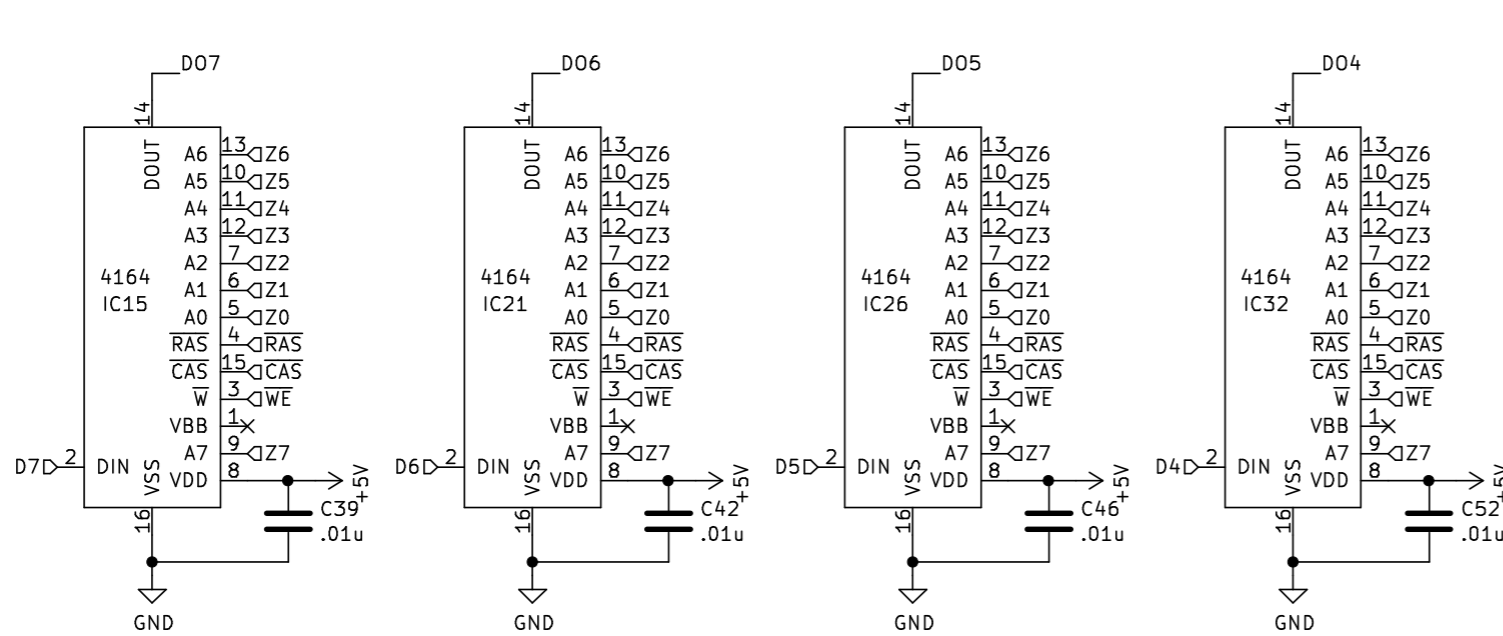


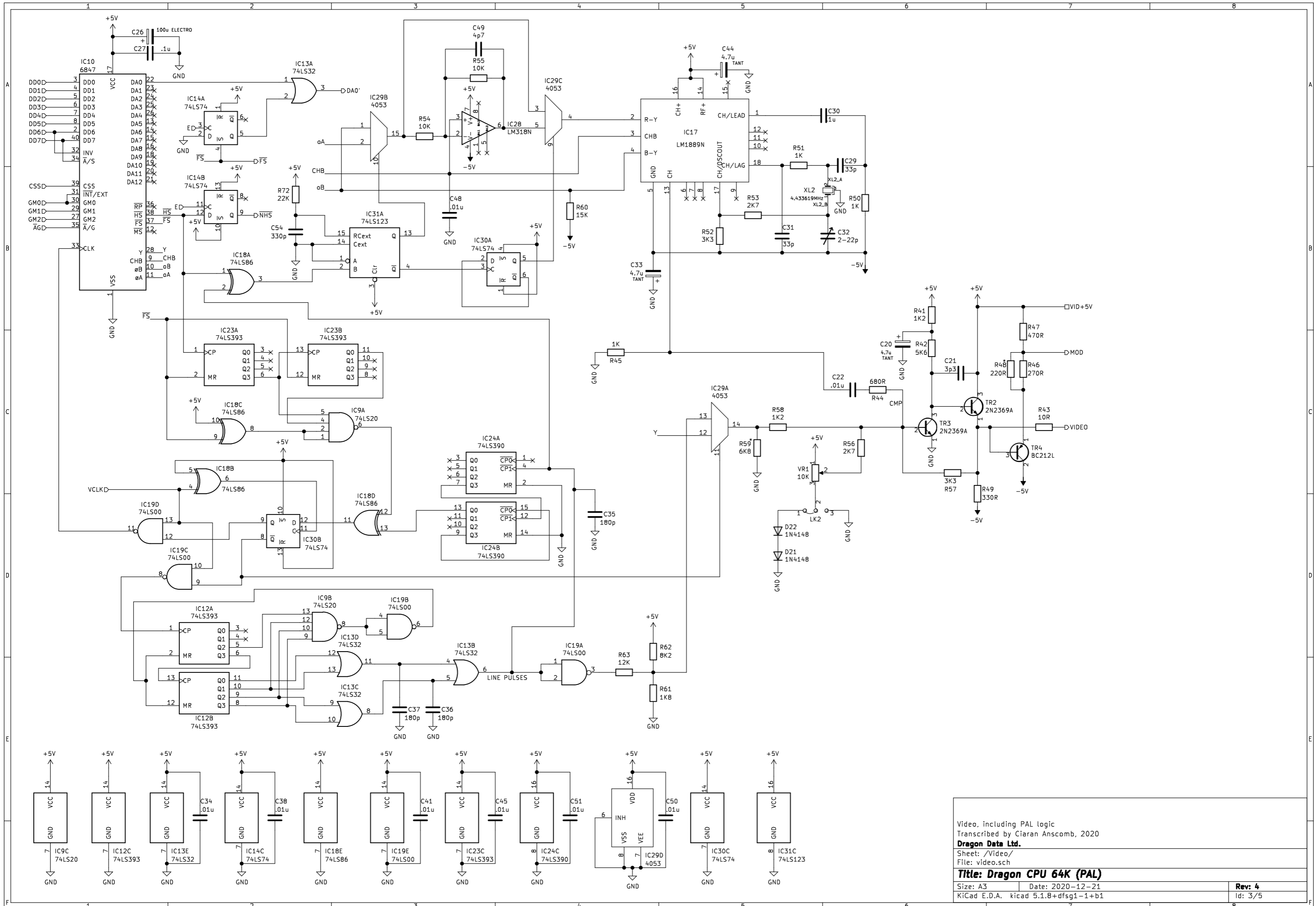
Transcribed by Ciaran Anscomb, 2020
Dragon Data Ltd.
 Sheet: /
 File: dragon64.sch
Title: Dragon CPU 64K (PAL)
 Size: A3 Date: 2020-12-23
 KiCad E.D.A. kicad 5.1.8+dfsg1-1+b1



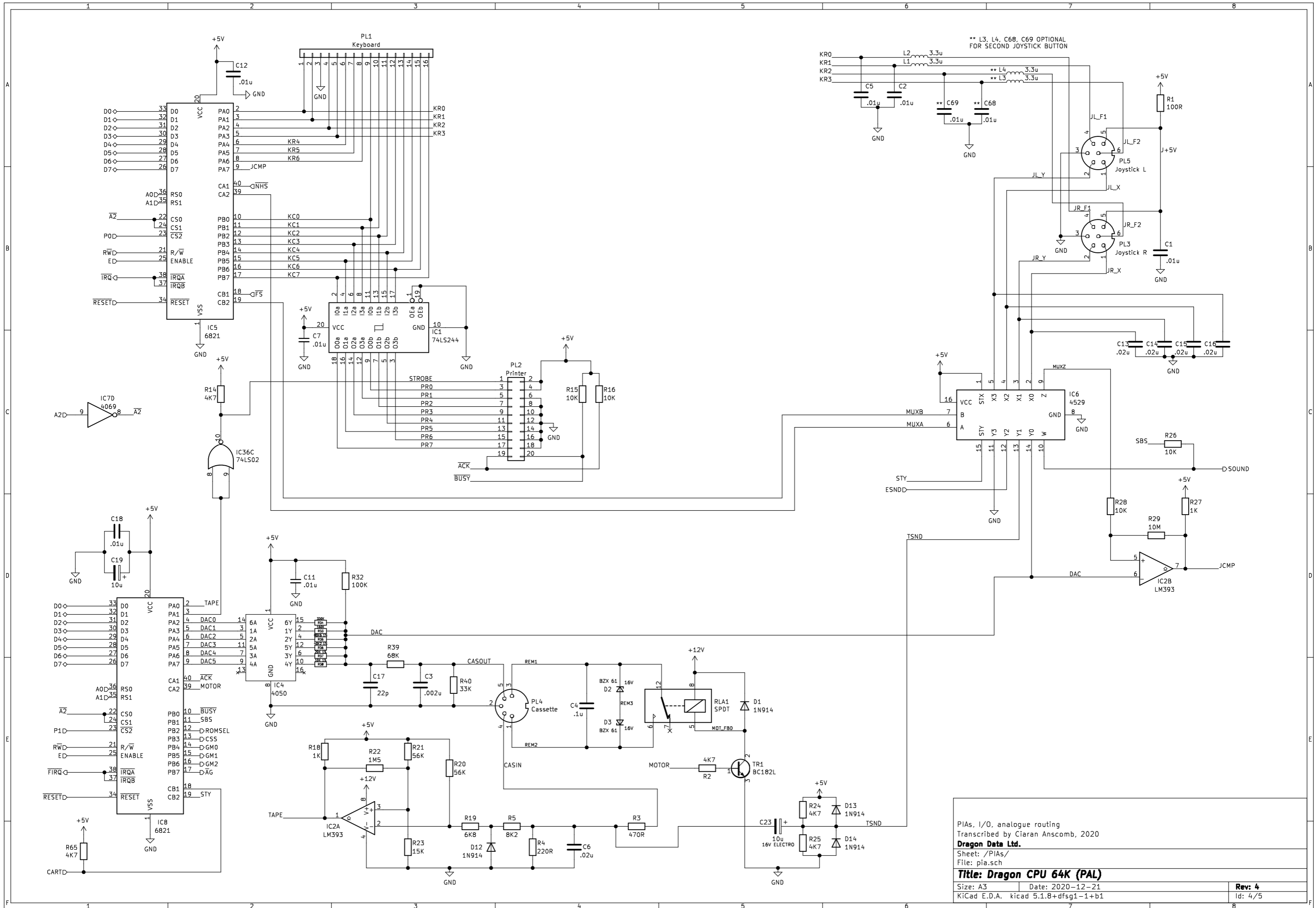
RAM
 Transcribed by Ciaran Anscomb, 2020
Dragon Data Ltd.
 Sheet: /RAM/
 File: ram.sch

Title: Dragon CPU 64K (PAL)

Size: A4	Date: 2020-12-21	Rev: 4
KiCad E.D.A. kicad 5.1.8+dfsg1-1+b1		Id: 2/5



Video, including PAL logic
 Transcribed by Ciaran Anscomb, 2020
Dragon Data Ltd.
 Sheet: /Video/
 File: video.sch
Title: Dragon CPU 64K (PAL)
 Size: A3 Date: 2020-12-21 Rev: 4
 KiCad E.D.A. kicad 5.1.8+dfsg1-1+b1 Id: 3/5



PIAs, I/O, analogue routing
 Transcribed by Ciaran Anscomb, 2020
Dragon Data Ltd.
 Sheet: /PIAs/
 File: pia.sch
Title: Dragon CPU 64K (PAL)
 Size: A3 Date: 2020-12-21
 KiCad E.D.A. kicad 5.1.8+dfsg1-1+b1
 Rev: 4
 Id: 4/5

