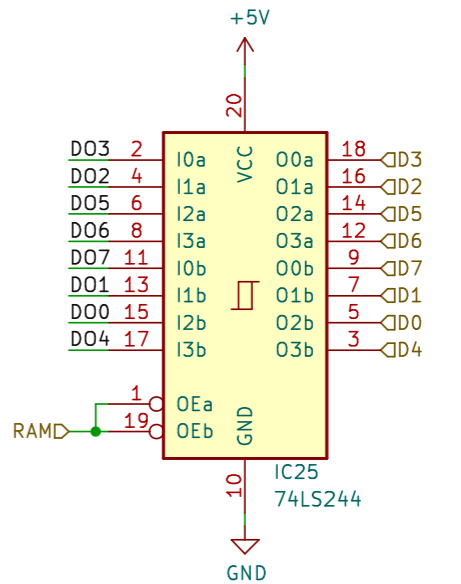
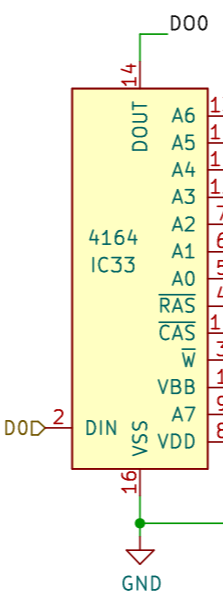
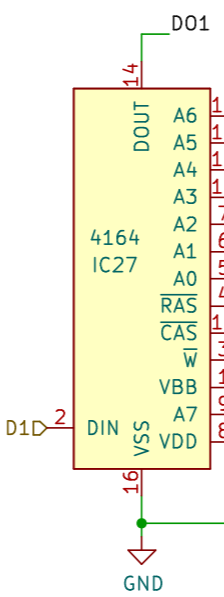
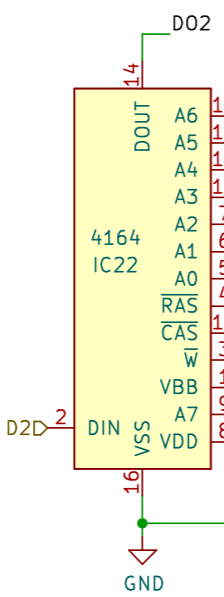
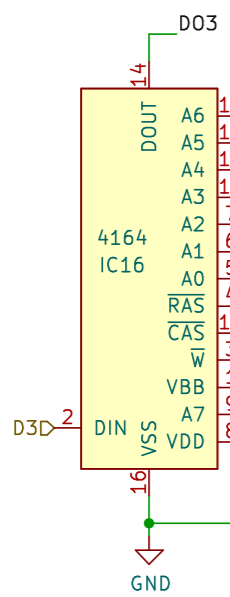
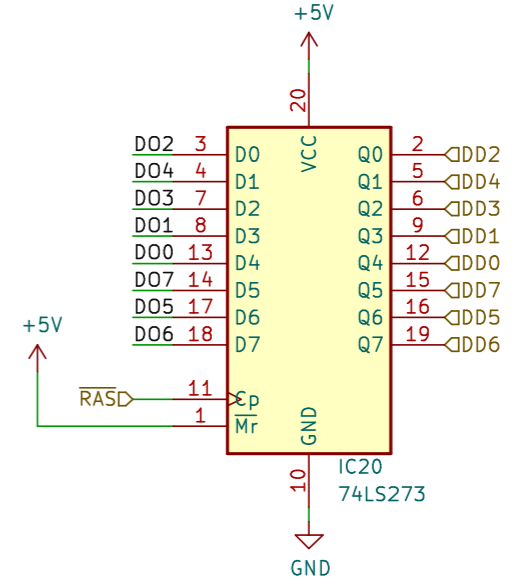
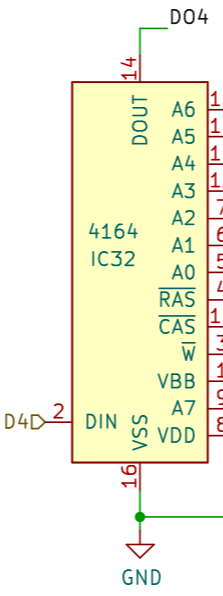
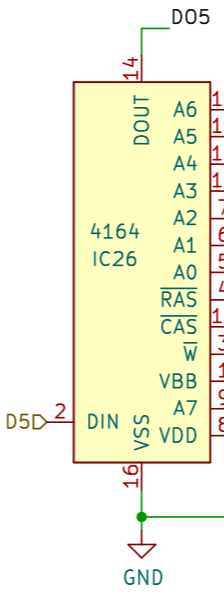
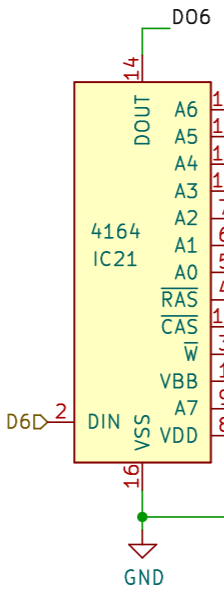
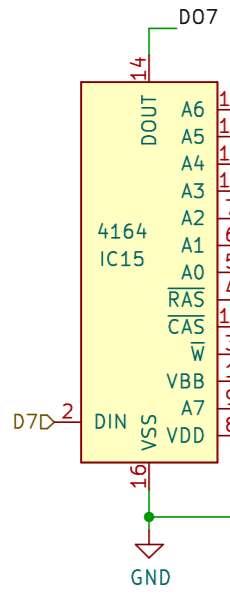
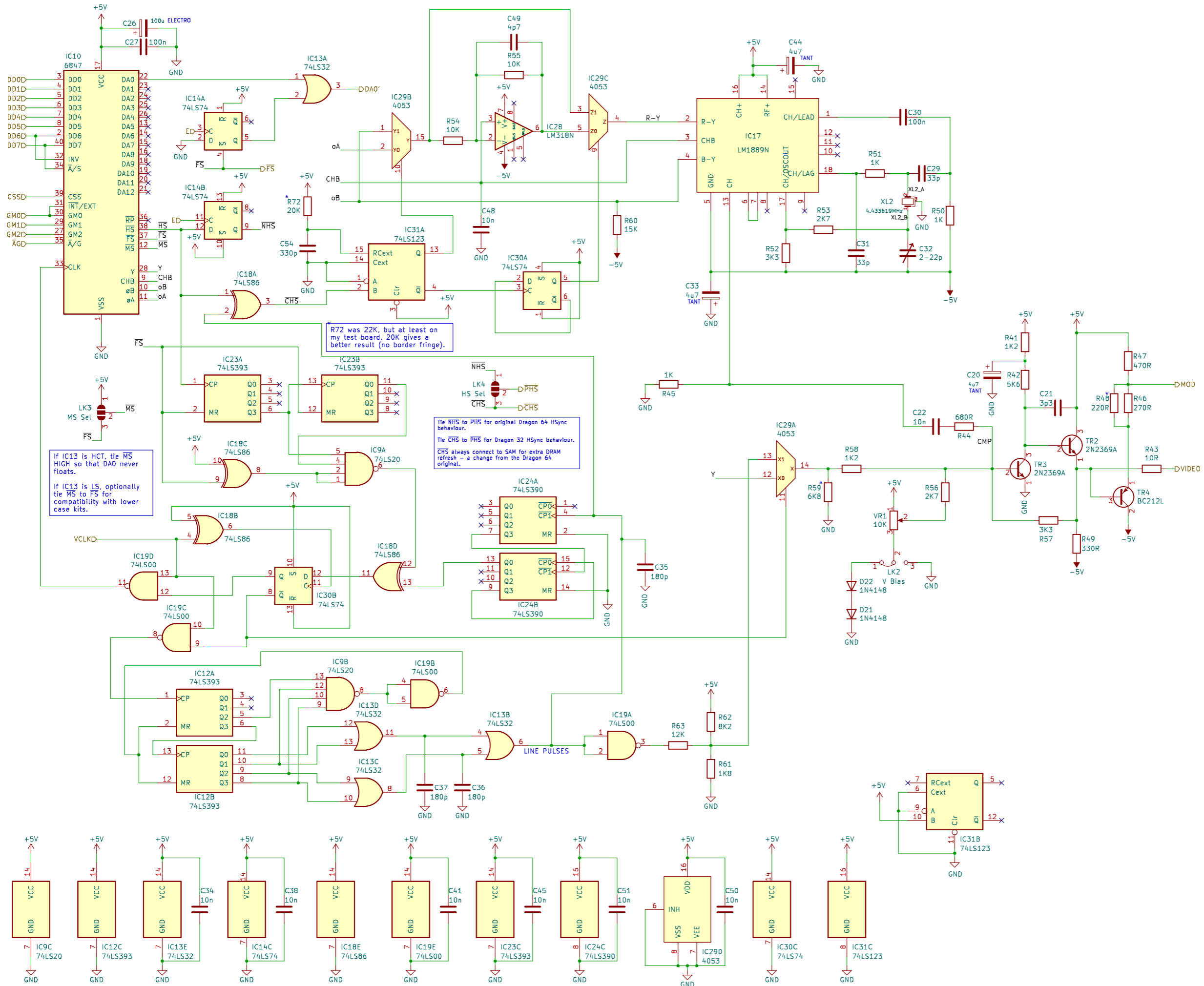


File: ram.kicad_sch File: video.kicad_sch File: pia.kicad_sch File: serial.kicad_sch





If IC13 is HCT, tie MS HIGH so that DA0 never floats.
If IC13 is LS, optionally tie MS to FS for compatibility with lower case kits.

R72 was 22K, but at least on my test board, 20K gives a better result (no border fringe).

Tie NHS to PHS for original Dragon 64 HSync behaviour.
Tie CHS to PHS for Dragon 32 HSync behaviour.
CHS always connect to SAM for extra DRAM refresh - a change from the Dragon 64 original.

